

Parkhill Fair DEMOLITION DERBY 2024



The demolition derby is promoted as an unusual spectator's attraction. In the interest of safety, anyone entering is subject to, and must obey the following rules and regulations which are set by the officials and the Parkhill Agricultural Society.

Special Note: Absolutely NO alcohol or drugs allowed in pit area, parking area or emergency vehicle area. Any driver or pit man under the influence or suspected to be under the influence of alcohol or drugs will be immediately disqualified and possibly charged. Official's discretion.

General

1. Each driver must fill out an entry form and sign a liability waiver. All drivers must supply their own vehicles, only one entry per person. You must be able to provide proof of ownership of each vehicle.
2. Each driver must hold a valid driver's license.
3. The officials reserve the right to approve or reject any or all entries.
4. Only drivers and mechanics who have signed the waiver form will be allowed on the track. The driver and the pit man will be allowed free entry the day of the derby, if they are with their vehicle.
5. The Parkhill Agricultural Society and its officials will not be held responsible for any vehicle parts or personal property before, during or after the derby.
6. All vehicles must arrive by 11:00 a.m. for tech inspection. Late arrivals may be turned down.
7. Register early so that you may receive your vehicle's number and have it painted on before the derby.

Type of Vehicle

1. Any hard top automobile, van, station wagon, or pickup truck is allowed.
2. Four-wheel drive vehicles must have the extra drive shaft removed, so that it runs only as a two-wheel drive.
3. No convertibles, jeeps, hearses, limousines, or checker cabs.
4. T-tops and sunroofs must be covered with steel for the driver's safety.
5. Diesel engines must be a maximum of 4 cylinders.

Running

1. Safety belts and C.S.A/DOT approved helmets are required. Goggles or face shields are recommended.
2. Driver must wear long pants, T-shirt or long sleeves, and steel toe boots.
3. No deliberate head-on collisions and no deliberate hitting on driver's door. Disqualification will result if the rules are ignored. Driver door hits are a serious offence and can lead to significant injuries.
4. Vehicles must have dependable brakes at all times. (No cutting or pinching brake lines).
5. No vehicles are permitted in the competition area before the heat in which they are participating.
6. The driver must remain in the vehicle until the heat is over. Vehicle will be disqualified if the driver's door comes open during the heat.
7. A one-minute time limit is enforced by the track officials for restarts and making competitive contact with another vehicle. Hits must be aggressive. No sandbagging or pinning is allowed.
8. The starters or official's decision will be final in the outcome of each heat.
9. Trucks and vans will each be in their own heat, separate from cars. Officials may choose to combine truck and vans heats if there are not enough entries to warrant separate heats.
10. Winner of car heats are eligible to compete in the final. Winners of van and trucks/SUV heats will not be in the final.
11. Any vehicle (including vans, trucks & SUVs) that did not win first or second in their heat but can still be operated/made operable is eligible to compete in a consolation round, upon payment of a \$20 consolation round fee. Winner of consolation round (cars only) goes into the final.
12. Mad dog rule: Officials may choose to remove an aggressive driver (mad dog) during each heat. This driver is assigned 2nd place automatically for the heat and vehicle will be reserved to go directly into the final.
13. A fire alarm or whistle or waving of RED flags will be used in the event of a fire. All vehicles will stop immediately or be disqualified.
14. A \$50.00 protest fee from the registered driver is required to protest another vehicle.

ALL VEHICLES MUST BE REMOVED OFF GROUNDS ON THE DAY OF DERBY BY OWNER.

PLEASE NOTE! DISQUALIFICATION WILL RESULT IF THE ABOVE RULES ARE NOT CLOSELY FOLLOWED.

These rules supersede any and all previously used rules of the Parkhill Agricultural Society ~ Parkhill Demolition Derby. NO changes or alterations of the rules may be made except by the officials.

Preparation of Vehicle

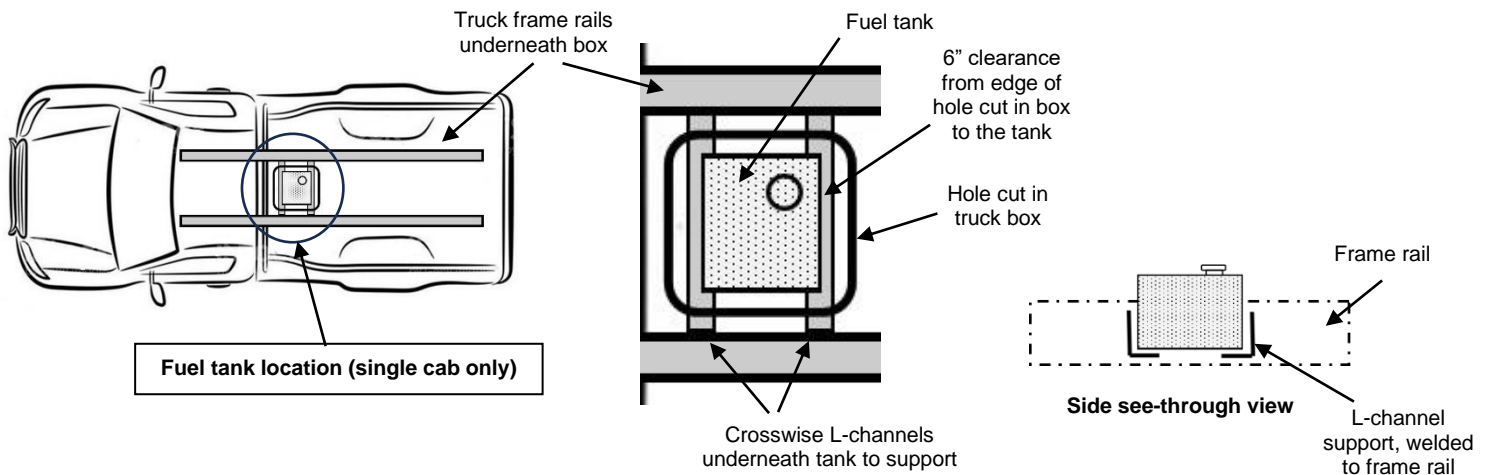
THE OFFICIAL'S DECISION IS FINAL. PLEASE READ ALL THE RULES.

PLEASE NOTE: THE TRUNK AND HOOD MUST REMAIN OPEN UNTIL THE INSPECTION OF ALL VEHICLES ARE COMPLETE. THEY MAY BE CLOSED AND PROPERLY SECURED AFTER THE OFFICIALS HAVE GIVEN THEIR APPROVAL.

1. All glass must be removed. This includes windshield, side windows, rear windows, head and taillights, bulbs and lenses. Windows should be removed without breaking them. If glass does break all fragments must be removed from all areas.
2. Airbags must be removed, including side post airbags.
3. Remove all exterior trim, plastic and chrome moldings, door handles, mirrors, antennas and grills.
4. All flammable material except driver's seat and dashboard must be removed, e.g. carpeting, head liner, door panels, rear seat, sun visors etc.
5. Any sharp protruding fins or dangerous objects (bent panels) must be either mashed down or cut off.
6. Frames must remain in stock form. No reinforcements or bracing are allowed. (Officials discretion)
7. Any stock or OEM bumper is allowed. Bumper must be firmly attached. Bumpers may be seam welded. Frame can be cut back to rod support to allow proper mounting area. Bumper is to be welded on with two 2 x 2 angle irons to side of frame. Bumper shocks may be welded. No chains, belts, wire etc. are allowed to hold bumpers on or up. Trailer hitches must be removed.
8. Any motor may be used in the vehicle. (e.g. Ford vehicle with Chevy engine). Rear end may also be changed provided it does not exceed 6 lugs.
9. No halos on engine or engine cradles. No distributor protectors, but distributor clamps are allowed.
10. Welding solid or chained down engine and transmission mounts is recommended.
11. Radiators and heater core must remain in original position or be taken off. Removal of heater core is recommended for driver's safety. Lines may be looped, but no protectors are allowed. Overflow lines must point down. Replacement of antifreeze with water is recommended. Transmission cooler may be moved.

12. Remove any engine driven cooling fans. An electric cooling fan may be installed in its place in front or behind the radiator.
13. Any firewall holes must be covered with non-combustible material.
14. A strong steel construction-type wire mesh must be placed directly in front of the driver where the windshield was. A steel bar must also be placed in the centre of windshield area from firewall to roof.
15. A dash bar and a halo or post-to-post behind the driver's seat must be welded into the driver's compartment for driver safety. The latter halo/post-to-post cannot be located anywhere other than behind the driver's seat, from the driver's side post to the passenger side post. It may not be welded to the frame in any way.
16. All doors must be fastened shut by wire or welded for the driver's safety. No chains are allowed. Welding doors shut is allowed and recommended. Note: If driver's door comes open during the event, driver will be removed.
17. It is **STRONGLY** recommended that the driver's door be reinforced inside with a steel plate. Maximum 12 inches wide, ¼ inch thick, flat bar (plate) only. Length is not to extend more than 6 inches on either end of driver's door. Eight ¾ inch bolts must be used to mount plate to the driver's door. No other reinforcements are allowed.
18. The entire driver's door must be painted white before entering the fair ground. Do not paint the passenger door white. No lettering on driver's door. No all-white vehicles will be allowed in the derby. You must paint a pattern or different colour, except the driver's door.
19. Driver's number must be on driver's door and/or roof sign, clearly visible to officials and the derby crowd.
20. Driver's compartment floor must be sound with no large holes, for the driver's safety. Screwing or welding the floor for repair is permissible.
21. Fenders may be cut for wheel clearance only. Inner fenders may be removed.
22. Hood, trunk or tailgate must be fastened down in 4 places with only 2 strands of wire through each hole. Official's decision of use of wire. No chains, pins, cable, straps, or belts may be used. ¾ inch thick rod through the rad cradle may be used to fasten the hood down. Hood cannot be welded shut. If trunk is welded, an 8 x 8 inch hole must be cut for inspection. No modifications to body mounts permitted.
23. It is mandatory that an opening be cut in the hood over the engine at least 8 x 8 inches square (20 x 20 for truck and SUV). The hood may be removed. It is recommended to leave the air breather on.
24. Only one 12 volt battery is allowed. It must be moved to the floor of the front passenger's side, securely fastened, and well covered with a splash proof material to protect the driver.
25. All tires must be passenger vehicle tires. No liquid filled, cut tires, studs or chains. No beadlock or screws in the rims to hold tires. No skid steer, loader tires, or tractor tires. All tires must be D.O.T. approved for passenger vehicles.

26. Shocks, coils, and leaf springs must be stock and remain in stock operation order. Maximum 6 leaf springs. No spindle swap or reinforcing tie rods. No leaf spring clamps allowed.
27. For trucks: No pre-bending or folding of box sides. Boxes must be mounted securely to frame. Box can be bolted in four locations to cab with $\frac{3}{4}$ inch bolts. Four 3x3 inch washers or plate may be used to secure the bed to the frame. If box falls off, you will be disqualified. Tailgates (including SUV) may removed, welded, or wired on.
28. Stock gas tank must be removed and a 1-, 2-, or 3-gallon (maximum) C.S.A. approved steel gas tank must be installed. The tank must be securely attached to the floor with wire where the rear seat was located. If the tank itself cannot be bolted down, ratchet straps must be used in conjunction with a platform that is securely attached. No rope or rubber/bungee cords. Steel marine tanks and/or fabricated metal fuel cells will be accepted. No jerry cans or other plastic fuel tanks allowed. Fuel tanks must be covered with non-flammable material after inspection. Proper installation is subject to official's discretion.
29. For trucks with single cab (ie. no back seat), fuel tank must be secured as follows: A hole must be cut in the centre of the box floor, immediately behind cab. Two L-channels (2 or 3 inch) must be welded crosswise between the frame rails as a support carriage, so that fuel tank rests in the cradle of the two L-channels, then bolted down or ratchet strapped. There must be 6 inches of clearance on each side of the fuel tank to the hole edges cut in box. See diagram below.



30. Gas lines and fittings to fuel tank must be securely fastened. Gas lines must be metal or approved rubber. **Original fuel lines under vehicle are not to be used.** Must be run inside vehicle.
31. All electric fuel pumps MUST have an emergency shut off switch accessible to the driver. All diesel engines must be equipped with a positive air shutoff available to the driver in case of run-on.
32. The vehicle must be swept clean. No glass, metal, junk tires or wheels are allowed in vehicle or the trunk.

33. Vehicles run in previous derbies or deemed unfit or unsafe by the officials can be refused entry into the competition.
34. No entry fees will be returned after vehicle has been registered for the derby unless the derby is cancelled.
35. Any arguments, fights, or use of foul language with any of the flag men or officials will mean disqualification.
36. **ALL OFFICIAL DECISIONS ARE FINAL.**